

Sorter Adapter Type L (A902)

PARTS CATALOG

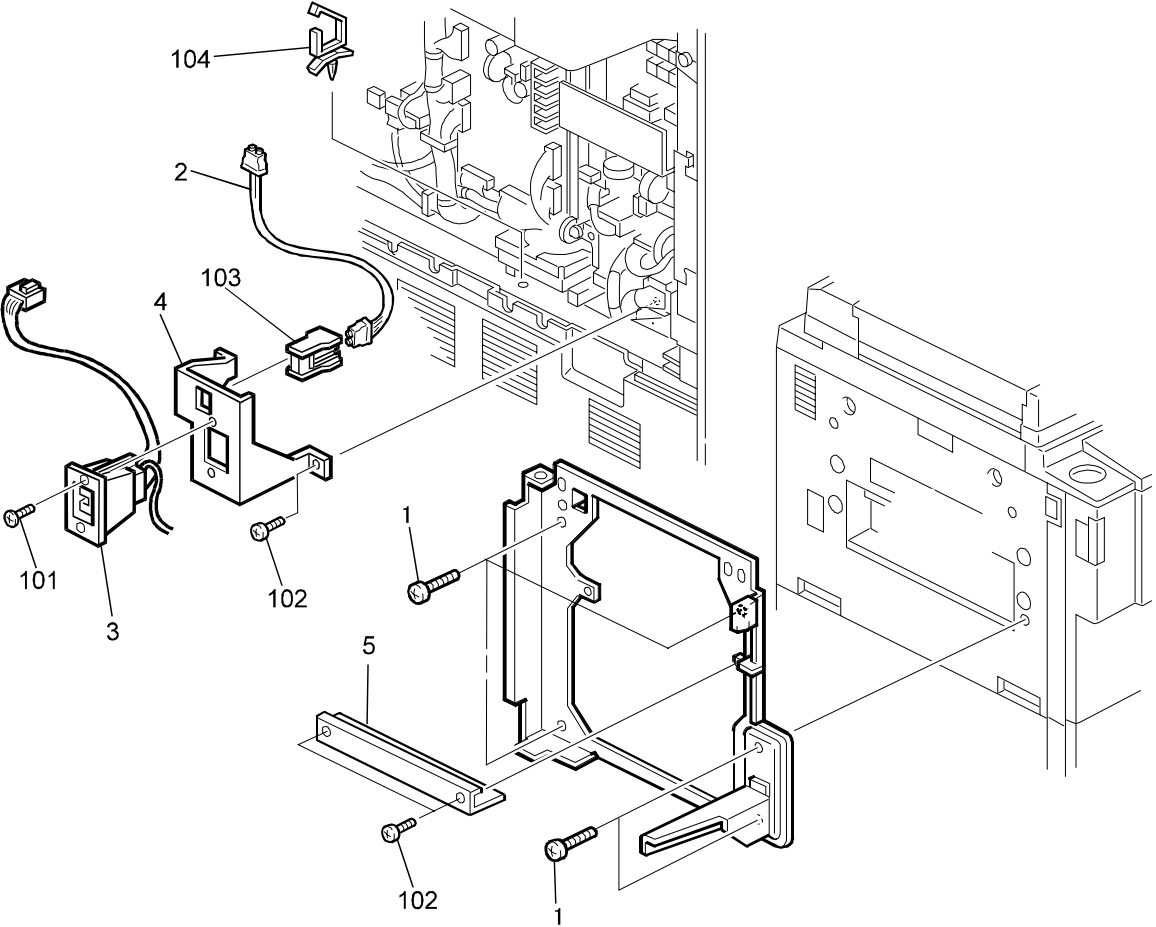
INTRODUCTION

This chapter instructs you the numbers and names of parts on this machine.

INDEX to PARTS CATALOG

1.Sorter Adapter type L	2
PARTS INDEX	5

1.Sorter Adapter type L



1.Sorter Adapter type L

Index No.	Part No.	Description	Q'ty Per Assembly
1	AA14 3755	Flat Screw	5
2	AW03 0055	Optical Fiber - 420mm	1
3	A902 5404	Sorter Relay Harness	1
4	A902 5556	Connector Bracket	1
5	A902 5561	Entrance Guide Plate	1

Index No.	Part No.	Description	Q'ty Per Assembly
101	0323 0060B	Philips Sunk Screw - M3X6	
102	0434 0080B	Pan Head Self-Tapping Screw - M4X8	
103	1102 4052	Optional Connector	
104	1105 0196	Harness Clamp	

PARTS INDEX

Part No.	Description	Page and Index No.
A902 5404	Sorter Relay Harness	3- 3
A902 5556	Connector Bracket	3- 4
A902 5561	Entrance Guide Plate	3- 5

Part No.	Description	Page and Index No
AA14 3755	Flat Screw	3- 1
AW03 0055	Optical Fiber - 420mm	3- 2
0323 0060B	Philips Sunk Screw - M3X6	3-101
0434 0080B	Pan Head Self-Tapping Screw - M4X8	3-102
1102 4052	Optional Connector	3-103
1105 0196	Harness Clamp	3-104